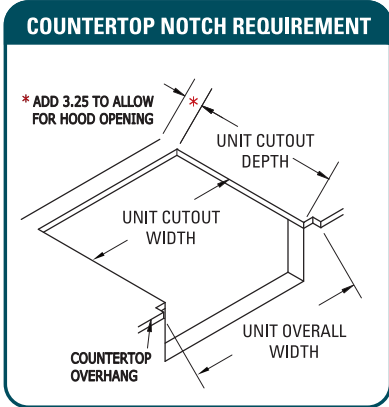
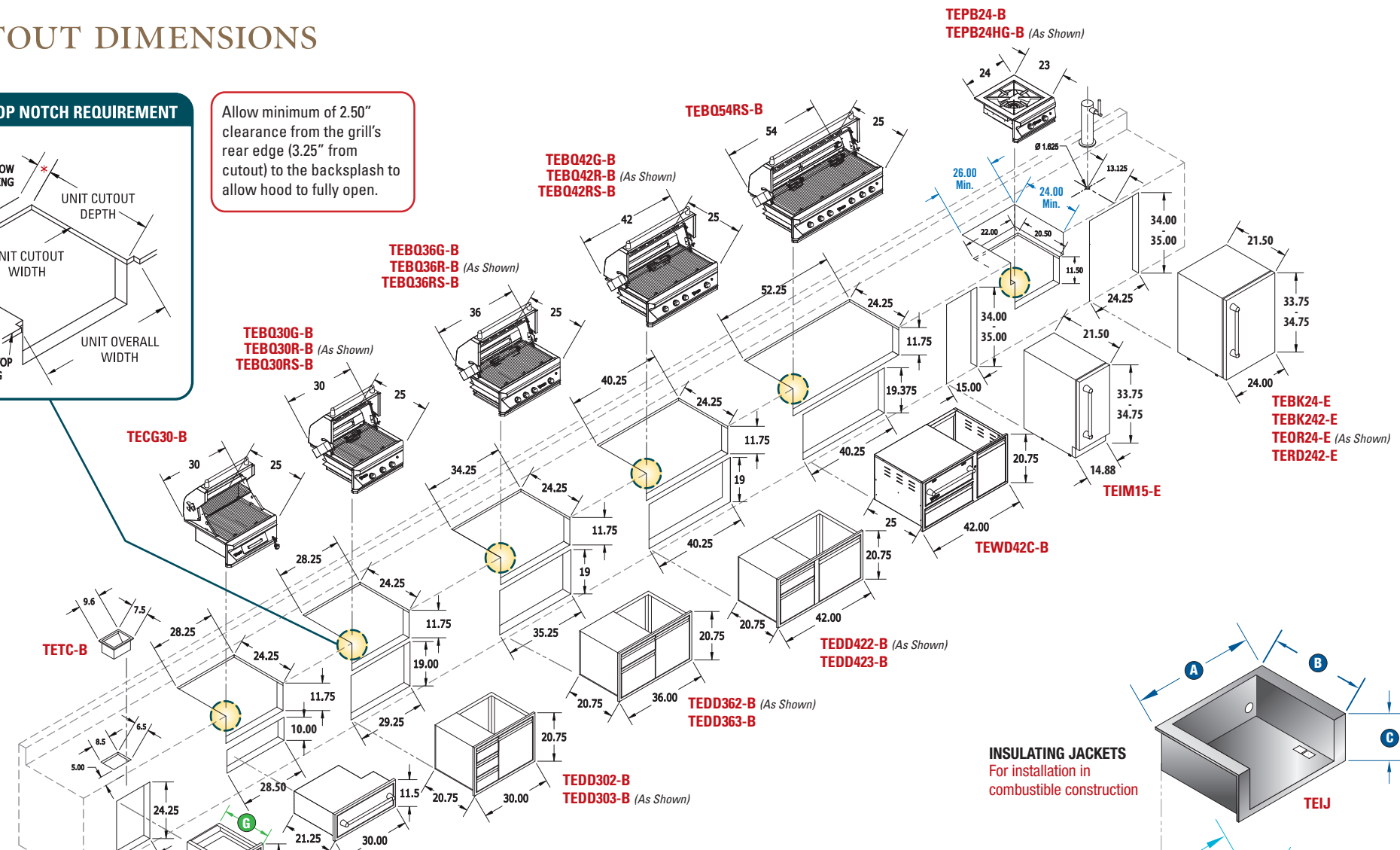


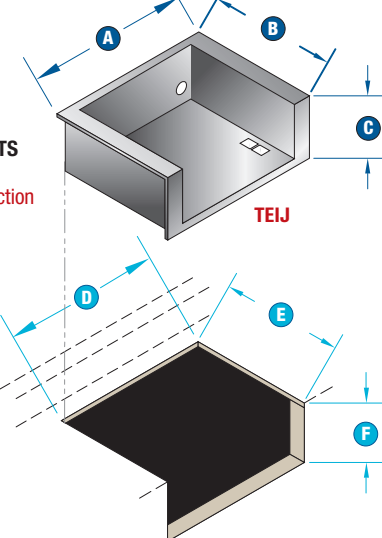
CUTOUT DIMENSIONS



Allow minimum of 2.50" clearance from the grill's rear edge (3.25" from cutout) to the backsplash to allow hood to fully open.

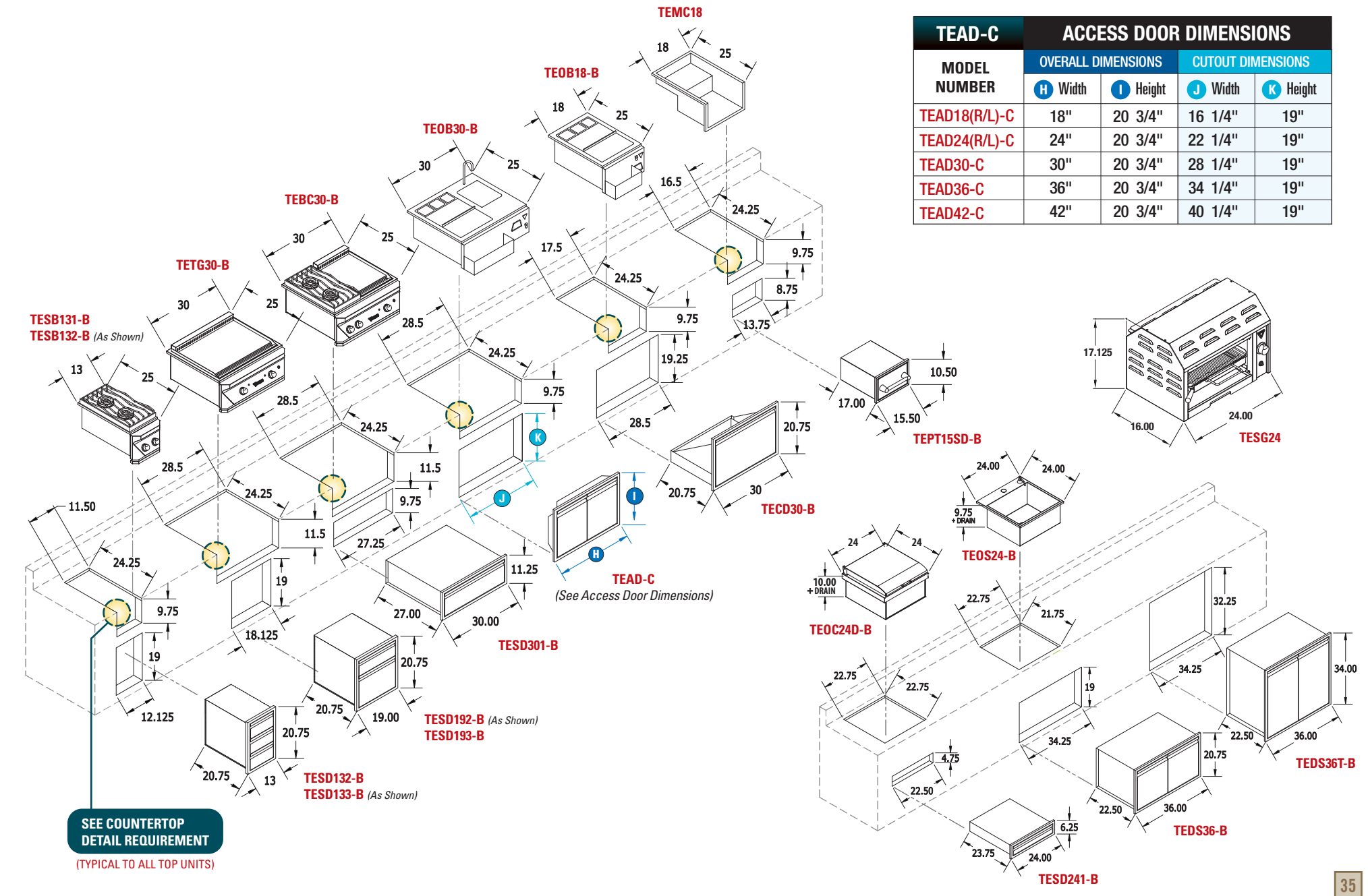


INSULATING JACKETS
For installation in combustible construction



MODEL NUMBER	OVERALL DIMENSIONS			CUTOUT DIMENSIONS		
	A Width	B Depth	C Height	D Width	E Depth	F Height
TEIJ24	28 5/8"	23 7/16"	13"	26 7/8"	22 1/4"	12 5/8"
TEIJ30	34 3/4"	27 1/8"	13 1/4"	33 1/2"	26"	12 5/8"
TEIJ36	40 3/4"	27 1/8"	13 1/4"	39 1/2"	26"	12 5/8"
TEIJ42	46 3/4"	27 1/8"	13 1/4"	45 1/2"	26"	12 5/8"
TEIJ54	58 3/4"	27 1/8"	13 1/4"	57 1/2"	26"	12 5/8"

MODEL NUMBER	ACCESS DOOR DIMENSIONS			
	OVERALL DIMENSIONS		CUTOUT DIMENSIONS	
	H Width	I Height	J Width	K Height
TEAD18(R/L)-C	18"	20 3/4"	16 1/4"	19"
TEAD24(R/L)-C	24"	20 3/4"	22 1/4"	19"
TEAD30-C	30"	20 3/4"	28 1/4"	19"
TEAD36-C	36"	20 3/4"	34 1/4"	19"
TEAD42-C	42"	20 3/4"	40 1/4"	19"



SEE COUNTERTOP DETAIL REQUIREMENT
(TYPICAL TO ALL TOP UNITS)